

A

B

C

D

E

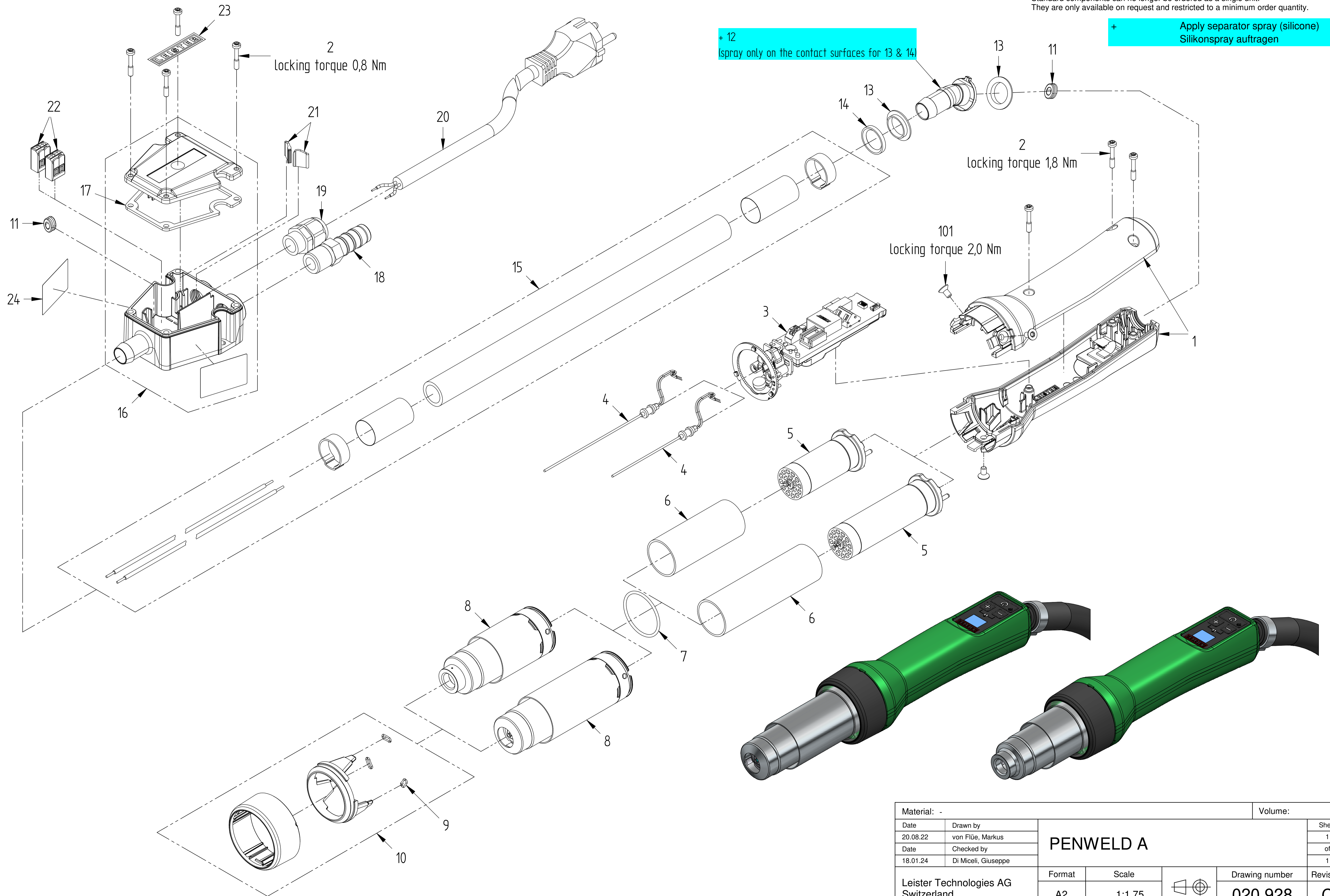
F

Pos	Name	Standard	Material	Leister	Bossard
101	Countersunk screw M4 x 8	ISO 14581	INOX A2	130.943	3061694

Standard components can no longer be ordered as a single unit.  
They are only available on request and restricted to a minimum order quantity.

+ Apply separator spray (silicone)  
Silikonspray auftragen

+ 12  
(spray only on the contact surfaces for 13 & 14)

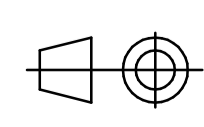


Material: -		Volume:			
Date	Drawn by	<b>PENWELD A</b>			
20.08.22	von Flüe, Markus				
Date	Checked by	Format	Scale	Drawing number	Revision
18.01.24	Di Miceli, Giuseppe	A2	1:1.75		

Leister Technologies AG  
Switzerland

Format  
A2

Scale  
1:1.75



Drawing number  
020.928

Revision  
C