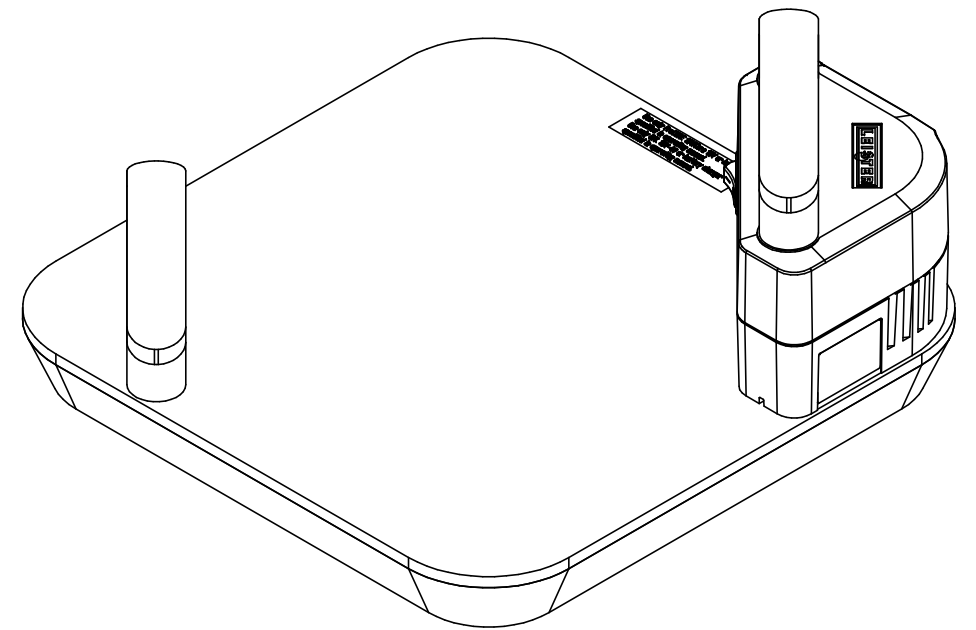
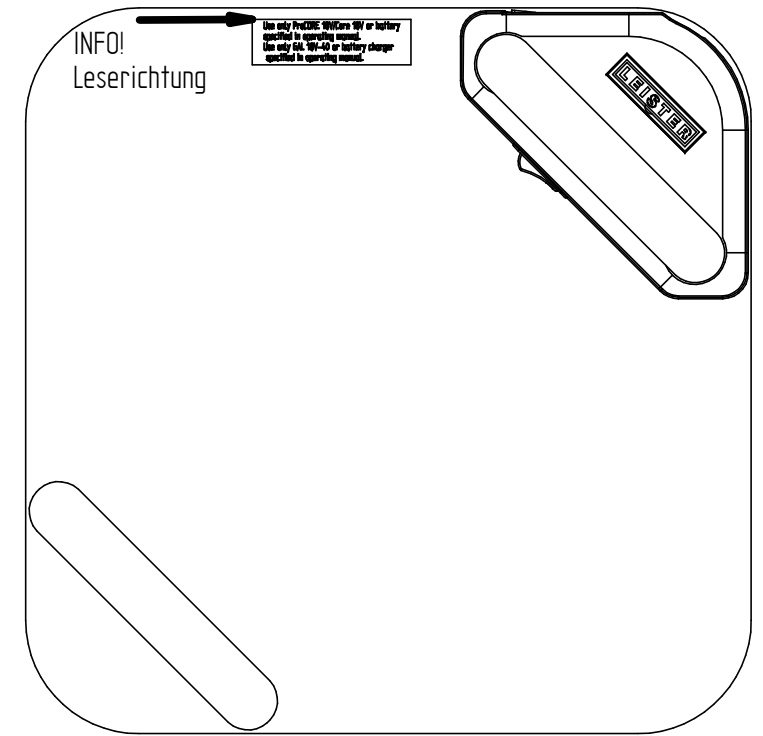
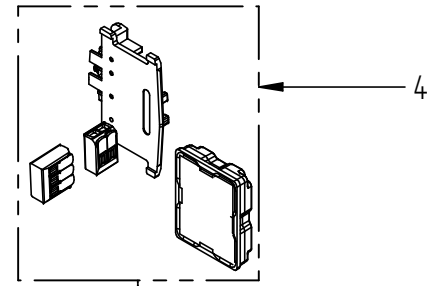
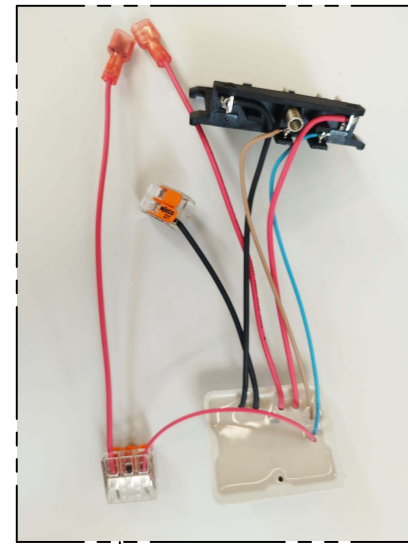
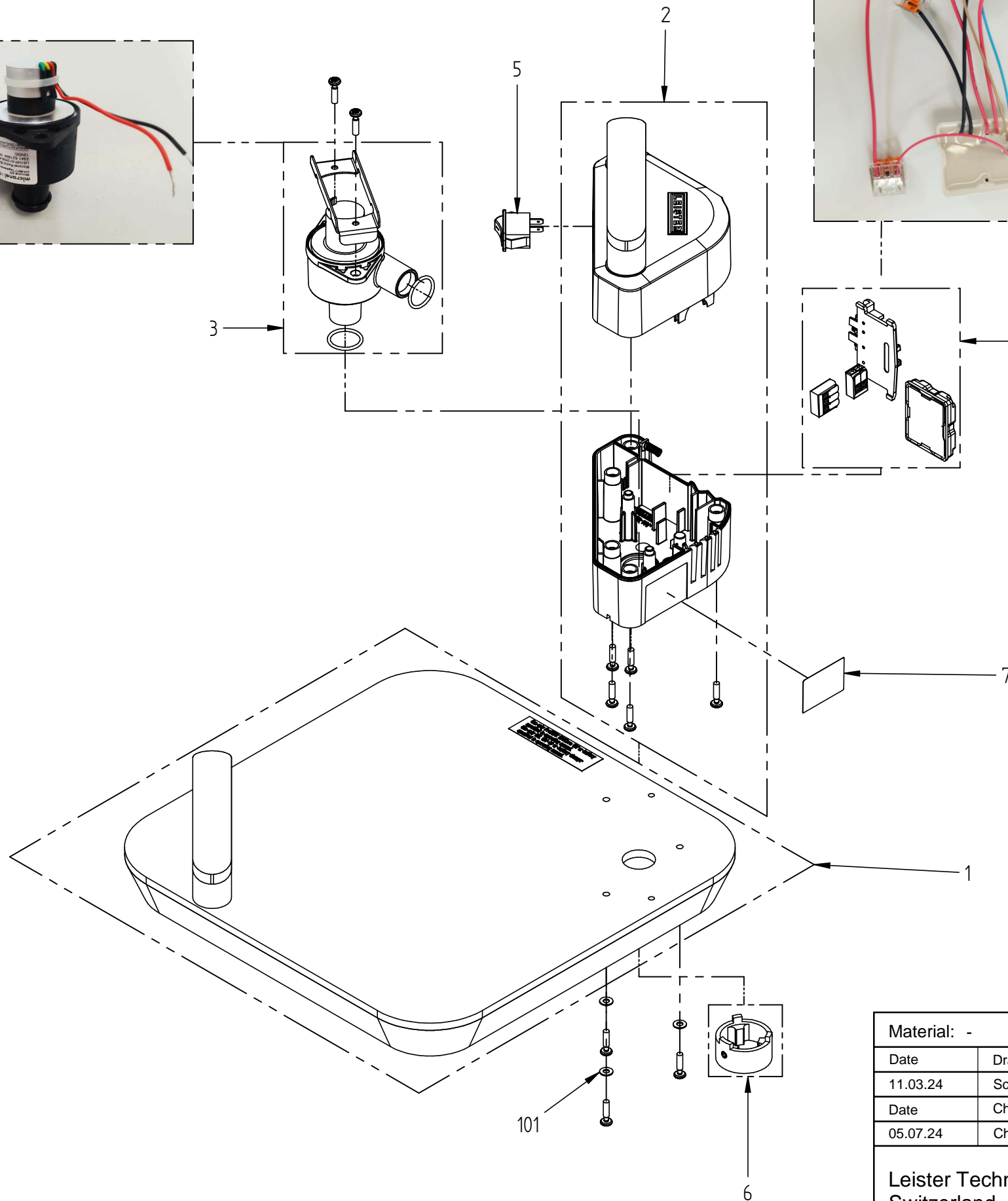
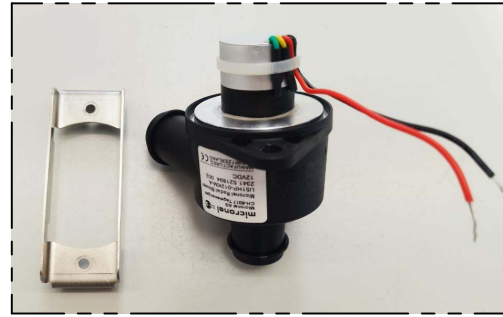


Pos	Name	Standard	Material	Leister	Bossard
101	Washer M4	ISO 7093	INOX A2	102.241	1117130

Standard components can no longer be ordered as a single unit.
They are only available on request and restricted to a minimum order quantity.



Material: -		Volume:			
Date	Drawn by	VACUUM PLATE 100-LP	Sheet		
11.03.24	Schmitter, Simon		1		
Date	Checked by		of		
05.07.24	Christen, Peter		1		
Leister Technologies AG Switzerland		Format	Scale	Drawing number	Revision
		A3	1:3.33	021.111	A